

2mL

5mL

# 'PUSH' INJECTOR



PAS1148B







PAS1149B



**njphillips™**  
DATAMARS

- Dual-purpose injector is easily changed from feed tube to bottle mount (Draw-off caps for 20mm, 30mm and 33mm).
- Well balanced and easy to fit as the bottle is centred over the injector.
- 'Dial-a-dose' system provides 10 quick and easy to select doses.
- Ergonomic push action design to relieve fatigue.

Product	Dose Range	Increments	Material	Packaged Dimensions (WxHxD)	Packaging Type	Code	SAP Code	EAN Barcode	UPC Barcode
2mL 'Push' Injector	0.1mL - 2mL	2mL	Plastic	250 x 270 x 40mm	Headercard & bag	PAS1148B	850 0000-638		
5mL 'Push' Injector	1mL - 5mL	5mL	Plastic	250 x 270 x 40mm	Headercard & bag	PAS1149B	850 0000-639		

For more information, email: [ahdsinfo@datamars.com](mailto:ahdsinfo@datamars.com) or phone toll free (Australia): **1800 247 175**

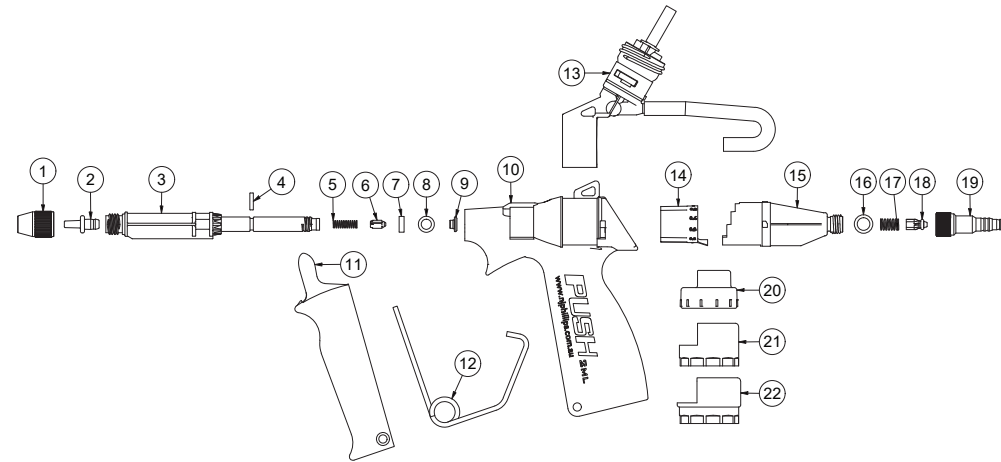
[www.njphillips.com](http://www.njphillips.com)



## 2mL 'Push' Injector Parts Breakdown

**NO SPARE PARTS KITS AVAILABLE.**

- |                          |                                |
|--------------------------|--------------------------------|
| 1. Luer Lock Needle Nut  | 12. 2-5mL Return Spring        |
| 2. Luer Insert           | 13. Bottle Attachment Assembly |
| 3. Push Injector Pushrod | 14. 2mL Dose Adjuster          |
| 4. Retainer Clip         | 15. 2mL Barrel                 |
| 5. Spring                | 16. Seal Ring                  |
| 6. Valve and Seal Ring   | 17. Spring                     |
| 7. 2mL Pushrod Spacer    | 18. Valve and Seal Ring        |
| 8. Seal Ring (010-S70)   | 19. Inlet Fitting              |
| 9. 2mL Piston Plug       | 20. 20mm Bottle Mount Cap      |
| 10. 2mL Push Grip Handle | 21. 30mm Bottle Mount Cap      |
| 11. Lever Push Injector  | 22. 33mm Bottle Mount Cap      |



## 5mL 'Push' Injector Parts Breakdown

**NO SPARE PARTS KITS AVAILABLE.**

- |                                |                           |
|--------------------------------|---------------------------|
| 1. Luer Lock Needle Nut        | 12. 5mL Barrel            |
| 2. Luer Insert                 | 13. Seal Ring             |
| 3. Push Injector Pushrod       | 14. Spring                |
| 4. Retainer Clip               | 15. Valve and Seal Ring   |
| 5. Spring                      | 16. Inlet Fitting         |
| 6. Valve and Seal Ring         | 17. Lever Push Injector   |
| 7. Piston                      | 18. 2-5mL Return Spring   |
| 8. Seal Ring (014-S70)         | 19. 20mm Bottle Mount Cap |
| 9. 5mL Dose Adjuster           | 20. 30mm Bottle Mount Cap |
| 10. 5mL Push Grip Handle       | 21. 33mm Bottle Mount Cap |
| 11. Bottle Attachment Assembly |                           |

